

# Plan 1 Nest Box For:

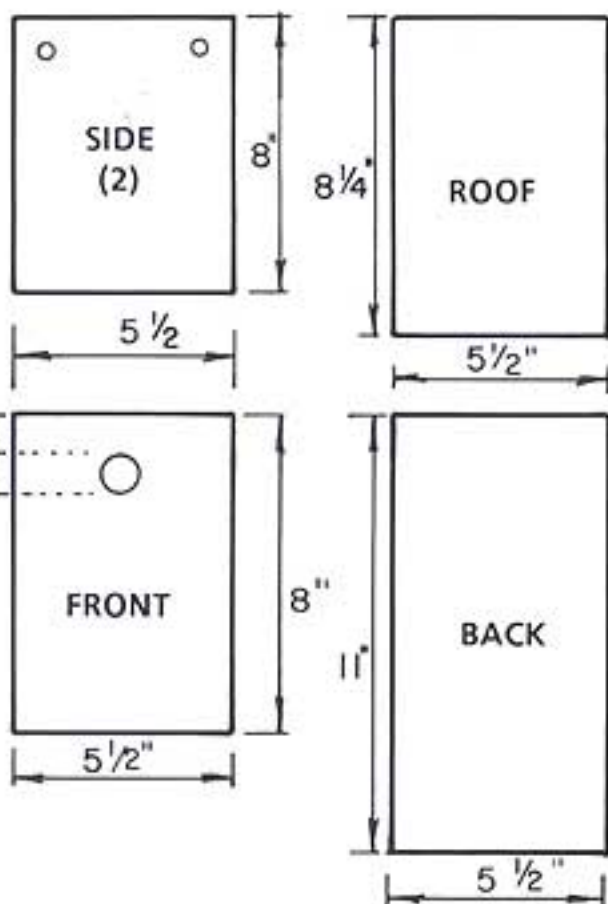
House Wren  
 Black-capped Chickadee  
 White-breasted Nuthatch  
 Prothonotary Warbler  
 White-footed Mouse  
 Woodland-deer Mouse  
 Tufted Titmouse  
 Bluebird

With slight modifications, this plan can also be used to make a simple one-board, flat roof bluebird house. Simply extend the side, front and roof to 9 inches. The remainder of a 6 foot long board can be used for the back and floor. A different hole size is required too, see Plan 24, page 58.

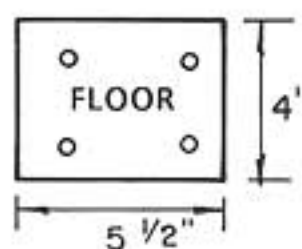
Easier yet, (no drill required) shorten the front by 1-1/2 inches. This will leave an open slot right beneath the roof overhang. Bluebirds will use these slots.



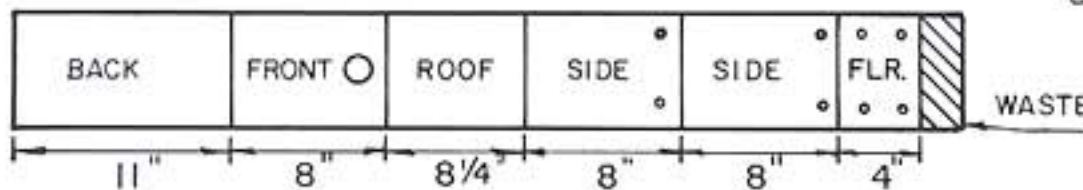
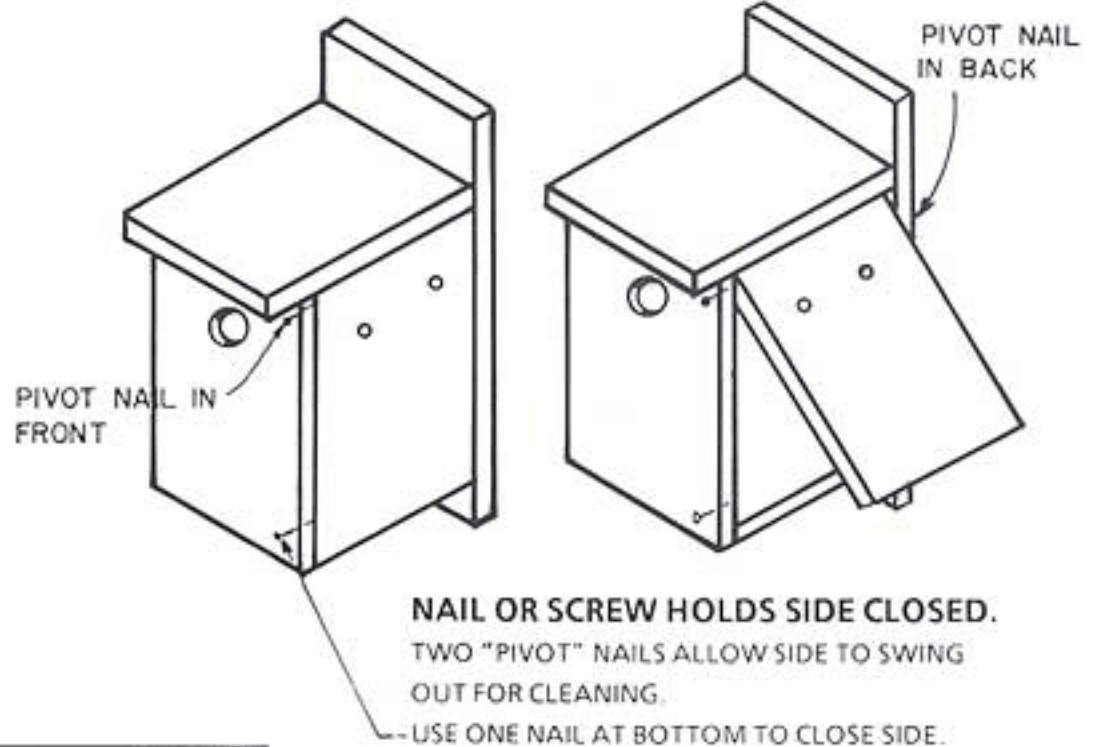
1/4" Holes for Ventilation



1/4" Holes for Drainage



NOTE: ENTRANCE HOLE DIAMETER IS 1 1/4"



LUMBER:  
 ONE 1" x 6" x 4' 0"